

Modular Cooking - Meritus

Gas - Fry Top

NGFT 4-75 S (ME)



Due to continuous technical development, the image shown may not represent the latest design of the unit.

DESCRIPTION

Modular gas fry top with 750 mm depth, powered with a 7 kW chrome-plated tubular burner. Equipped with open cabinet.

Usable for contact grilling and starch cooking.

Made of AISI 304 with 1.5 mm top thickness, ignited with piezzo igniter, fully welded AISI 420 griddle with large drain hole for large scrapper, grease is collected in the GN 1/3 container in the cabinet.

OTHER AVAILABLE MODELS

- NGFT 6-75 S (ME)
- NGFT 8-75 S (ME)
- NGFT 8-75 S OV (ME)

MAIN FEATURES

- Powered with 7 kW chrome-plated steel tubular burner.
- Smooth griddle surface with 304 x 545 mm cooking area.
- Fully welded griddle constructed of AISI 420 with thickness of 20 mm, preventing rust.
- Obround drain with oil collection drawer included.
- Piezzo ignition system with rubber cover.
- Thermal-cut off when overheated.
- Equipped with flame failure device.

CONSTRUCTION

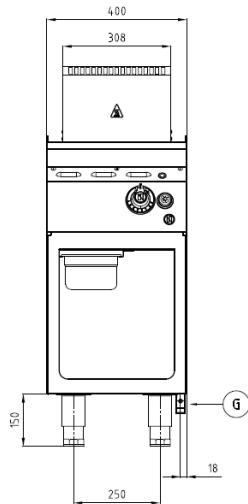
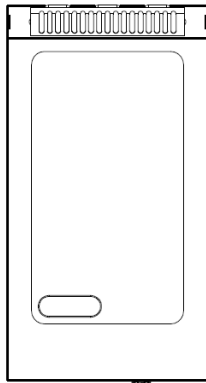
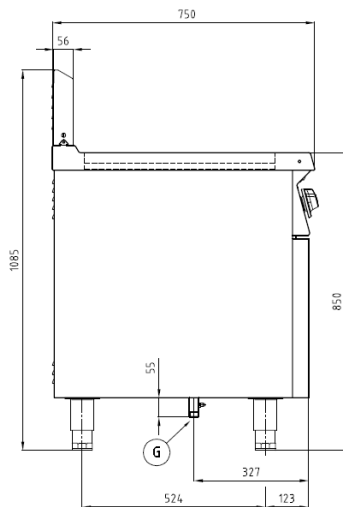
- External construction entirely with AISI 304.
- Top panel with 1.5 mm thickness. Orbital surface finishing: resistant toward scratches.
- Front panel is constructed of 0.8 mm AISI 304 with satin surface finish.
- Side panel is constructed of 0.8 mm AISI 304 with satin surface finish.
- Adjustable +/- 25 mm AISI leg.
- Nayati connection system between Meritus products on the front panels, cabinets, and splashbacks.
- Cabinet executed with H2 radius.
- Deep drawn front panel to minimize liquid penetration to the internal part.
- Gasket protection behind the knobs to prevent water to seeping in, prolonging main heating regulation parts.

INCLUDED ACCESSORIES

- G20 Conversion Kit
- 1/3 GN food pan for grease waste.

OPTIONAL ACCESSORIES

- Joint clip ME.
- Swing door 4-75 ME.

FRONT**TOP****SIDE**

*Overall dimension in mm

TECHNICAL DATA**External Dimensions**

Width	: 400 mm
Depth	: 750 mm
Height	: 850/900 mm

Cooking Surface

Cooking zones	: 304 x 545 mm
---------------	----------------

Gas Power Rating

Heat input total	: LPG/Natural Gas 7 kW
No. of burners	: 1
Control type	: Modulating power control
Gas type options	: LPG G30, G31 Natural Gas G20, G25, G25.3

Connections

Gas	: DN 20 (3/4")
Water	: N/A
Drain	: N/A

Heat & Steam Emissions

Direct heat emission	: 2.45 kW
Latent heat emission	: 2.8 kW
Steam emission	: 4.12 kg/h

PACKAGING DATA

Width	: 430 mm
Depth	: 780 mm
Height	: 1020 mm
Volume	: 0.34 m ³

WEIGHT

Net Weight	: 77 kg
Gross Weight	: 90 kg