

## Modular Cooking - Meritus

### Gas - Fry Top

#### NGFT 6-75 G (ME1)



Due to continuous technical development, the image shown may not represent the latest design of the unit.

#### DESCRIPTION

Modular gas fry top with 750 mm depth, powered with a 10 kW chrome-plated tubular burner. Equipped with open cabinet.

Usable for contact grilling and starch cooking.

Made of AISI 304 with 1.5 mm top thickness, ignited with piezzo igniter, fully welded AISI 420 griddle with large drain hole for large scrapper, grease is collected in the GN 1/3 container in the cabinet.

#### OTHER AVAILABLE MODELS

NGFT 4-75 G (ME)

NGFT 8-75 G (ME)

NGFT 8-75 G OV (ME)

#### MAIN FEATURES

- Powered with 10 kW chrome-plated steel tubular burner.
- Grooved griddle surface with 504 x 545 mm cooking area.
- Fully welded griddle constructed of AISI 420 with thickness of 20 mm, preventing rust.
- Obround drain with oil collection drawer included.
- Piezzo ignition system with rubber cover.
- Thermal-cut off when overheated.
- Equipped with flame failure device.

#### CONSTRUCTION

- External construction entirely with AISI 304.
- Top panel with 1.5 mm thickness. Orbital surface finishing: resistant toward scratches.
- Front panel is constructed of 0.8 mm AISI 304 with satin surface finish.
- Side panel is constructed of 0.8 mm AISI 304 with satin surface finish.
- Tubular, height adjustable (-3...+50 mm) stainless steel legs.
- Nayati connection system between Meritus products on the top panels and cabinets.
- Cabinet executed with H2 radius.
- Deep drawn front panel to minimize liquid penetration to the internal part.
- Gasket protection behind the knobs to prevent water to seeping in, prolonging main heating regulation parts.

#### INCLUDED ACCESSORIES

- G20 Conversion Kit.
- 1/3 GN food pan for grease waste.
- Joint clip ME1.

#### OPTIONAL ACCESSORIES

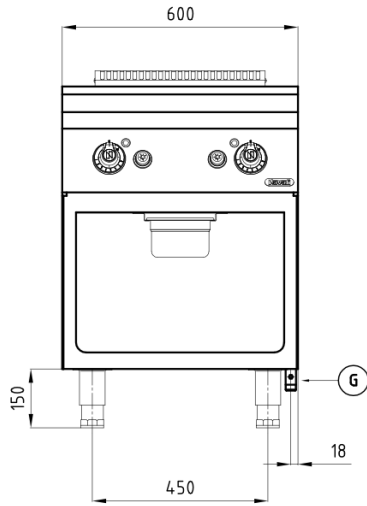
- Swing door 6-75 ME1.

PT. NAYATI INDONESIA

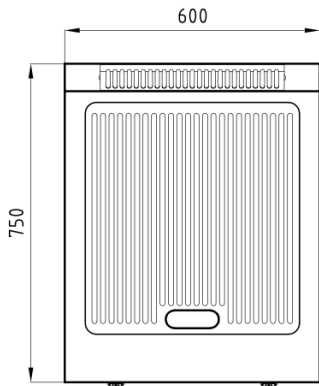
[www.nayati.com](http://www.nayati.com)

Nayati reserves the right to make product alterations and or price adjustments at any time and can not be held responsible for any printing errors or omissions.

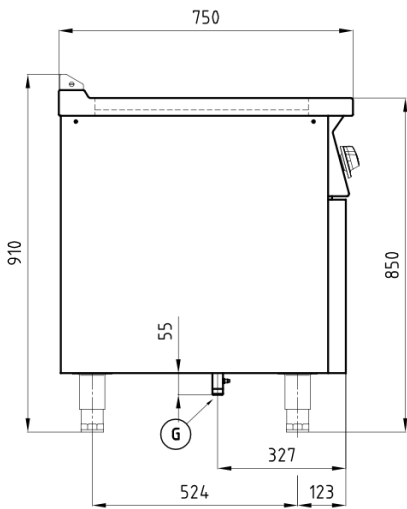
**FRONT**



**TOP**



**SIDE**



\*Overall dimension in mm

**TECHNICAL DATA**

External Dimensions

Width : 600 mm  
Depth : 750 mm  
Height : 850/910 mm

Cooking Surface

Cooking zones : 504 x 545 mm (Grooved)

Gas Power Rating

Heat input total : LPG/Natural Gas 10 kW  
No. of burners : 2  
Control type : Modulating power control  
Gas type options : LPG G30, G31  
Natural Gas G20, G25, G25.3

Connections

Gas : DN 20 (3/4")  
Water : N/A  
Drain : N/A

Heat & Steam Emissions

Direct heat emission : 3.5 kW  
Latent heat emission : 4 kW  
Steam emission : 5.88 kg/h

PACKAGING DATA

Width : 630 mm  
Depth : 780 mm  
Height : 1205 mm  
Volume : 0.59 m<sup>3</sup>

WEIGHT

Net Weight : 87 kg  
Gross Weight : 100 kg