

## Modular Cooking - Grandis

### Gas - Fry Top

#### NGFT 8-90 S GR



Due to continuous technical development, the image shown may not represent the latest design of the unit.

#### DESCRIPTION

Modular gas fry top with 900 mm depth and 16 kW chrome-plated tubular burners. Equipped with open cabinet.

Usable for contact grilling and starch cooking.

Made of AISI 304 with 2 mm top thickness, griddle is made of 20 mm thick AISI 420, knife steel, that prevent rust and deliver good thermal conductivity.

#### OTHER AVAILABLE MODELS

- NGFT 6-90 S GR
- NGFT 6-90 G GR
- NGFT 6-90 C GR
- NGFT 8-90 G GR
- NGFT 8-90 C GR
- NGFT 8-90 OV GR

#### MAIN FEATURES

- Powered with 16 kW chrome-plated steel tubular burner.
- Smooth griddle surface with 650 x 635 mm cooking area.
- Removable flush griddle constructed of AISI 420 with thickness of 20 mm, preventing rust.
- Obround drain with oil collection drawer included.
- Piezzo ignition system with rubber cover.
- Thermal-cut off when overheated.
- Equipped with flame failure device.

#### CONSTRUCTION

- External construction entirely with AISI 304.
- Top panel with 2 mm thickness. Orbital surface finishing: resistant toward scratches.
- Front panel is constructed of 1 mm AISI 304 with satin surface finish.
- Side panel is constructed of 0.8 mm AISI 304 with satin surface finish.
- Adjustable +/- 25 mm AISI leg.
- Cabinet executed with H2 radius.
- Connector between Grandis product on the front and the back.

#### INCLUDED ACCESSORIES

- G20 Conversion Kit
- 1/3 GN food pan for grease waste.

#### OPTIONAL ACCESSORIES

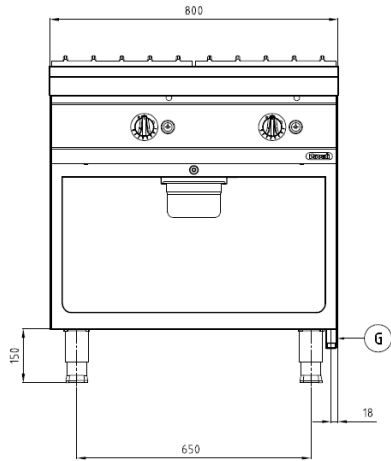
- Joint clip GR.
- Swing door 8-90 GR.

PT. NAYATI INDONESIA

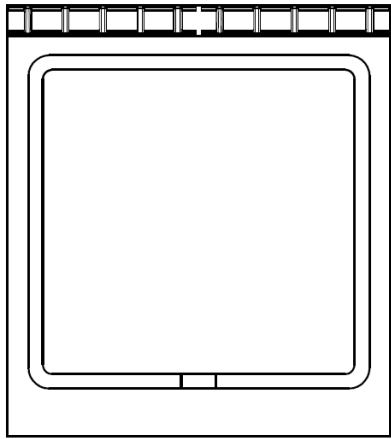
[www.nayati.com](http://www.nayati.com)

Nayati reserves the right to make product alterations and or price adjustments at any time and can not be held responsible for any printing errors or omissions.

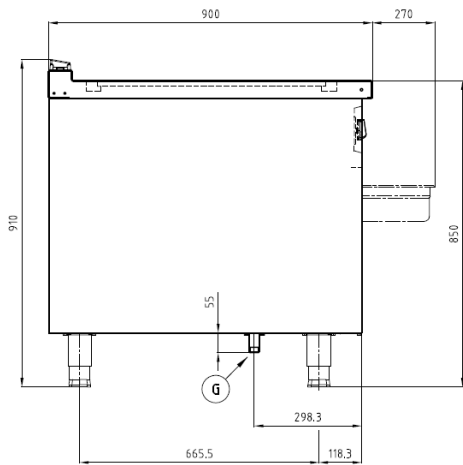
**FRONT**



**TOP**



**SIDE**



\*Overall dimension in mm

**TECHNICAL DATA**

External Dimensions

Width : 800 mm  
 Depth : 900 mm  
 Height : 850/910 mm

Cooking Surface

Cooking zones : 650 x 635 mm

Gas Power Rating

Heat input total : LPG/Natural Gas 16 kW  
 No. of burners : 2  
 Control type : Modulating power control  
 Gas type options : LPG G30, G31  
                               Natural Gas G20, G25

Connections

Gas : DN 20 (3/4")  
 Water : N/A  
 Drain : N/A

Heat & Steam Emissions

Direct heat emission : 5.60 kW  
 Latent heat emission : 6.40 kW  
 Steam emission : 9.41 kg/h

PACKAGING DATA

Width : 830 mm  
 Depth : 930 mm  
 Height : 1030 mm  
 Volume : 0.80 m<sup>3</sup>

WEIGHT

Net Weight : 136 kg  
 Gross Weight : 155 kg