

Modular Cooking - Meritus

Gas - Hot Top

NGHT 4-75 (ME)



Due to continuous technical development, the image shown may not represent the latest design of the unit.

DESCRIPTION

Modular gas hot top with 750 mm depth, powered with 5.7 kW chrome-plated burner. Equipped with open cabinet.

Usable for boiling, steaming, frying, braising, simmering and steam frying.

Made of AISI 304 with 1.5 mm top thickness, griddle is made of Molybdenum steel (16Mo5) with 18 mm thickness, powered with circular cast iron burner that heats up the hot top in concentric distribution. Central temperature can reach up to 550 degree Celcius.

OTHER AVAILABLE MODELS

- NGHT 8-75 (ME)
- NGHT 8-75 OC (ME)
- NGHT 12-75 4OB (ME)
- NGHT 12-75 (ME)
- NGHT 12-75 OC (ME)

MAIN FEATURES

- Powered with 5.7 kW chrome-plated steel tubular burner.
- Hot top griddle is made of 18 mm thick Molybdenum steel for high thermal performance.
- Concentric heat distribution. Center temperature can reach up to 550 degree Celcius. Griddle center can be removed for service, usable for wok cooking.
- Piezzo ignition system with rubber cover.
- Equipped with flame failure device.

CONSTRUCTION

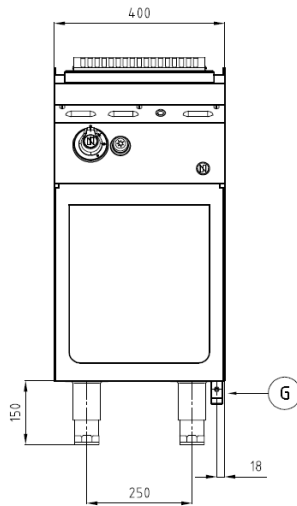
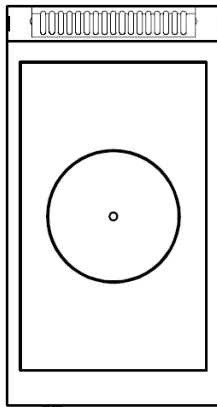
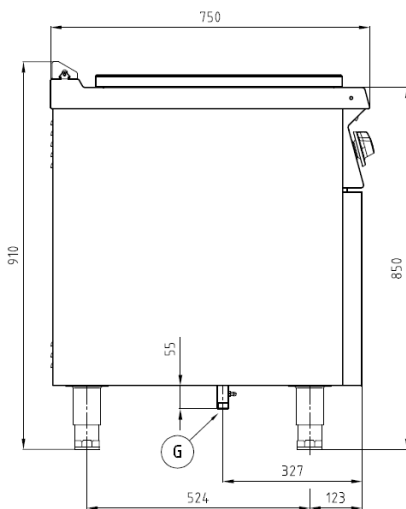
- External construction entirely with AISI 304.
- Top panel with 1.5 mm thickness. Orbital surface finishing: resistant toward scratches.
- Front panel is constructed of 0.8 mm AISI 304 with satin surface finish.
- Side panel is constructed of 0.8 mm AISI 304 with satin surface finish.
- Adjustable +/- 25 mm AISI leg.
- Nayati connection system between Meritus products on the front panels, cabinets, and splashbacks.
- Cabinet executed with H2 radius.
- Deep drawn front panel to minimize liquid penetration to the internal part.
- Gasket protection behind the knobs to prevent water to seeping in, prolonging main heating regulation parts.

INCLUDED ACCESSORIES

- G20 Conversion Kit
- SS Hook to remove griddle inner plate.
- 2/1 GN oven wire tray (1 pcs.).

OPTIONAL ACCESSORIES

- Joint clip ME.
- Swing door 4-75 ME.

FRONT**TOP****SIDE**

*Overall dimension in mm

TECHNICAL DATA**External Dimensions**

Width	: 400 mm
Depth	: 750 mm
Height	: 850 mm

Cooking Surface

Cooking zones	: 350 x 565 mm
---------------	----------------

Gas Power Rating

Heat input total	: LPG/Natural Gas 5.7 kW
No. of burners	: 1
Control type	: High - low power control
Gas type options	: LPG G30, G31 Natural Gas G20, G25, G25.3

Connections

Gas	: DN 20 (3/4")
Water	: N/A
Drain	: N/A

Heat & Steam Emissions

Direct heat emission	: 1.71 kW
Latent heat emission	: 0.68 kW
Steam emission	: 1 kg/h

PACKAGING DATA

Width	: 430 mm
Depth	: 780 mm
Height	: 970 mm
Volume	: 0.33 m ³

WEIGHT

Net Weight	: 61 kg
Gross Weight	: 67 kg