

**Refrigeration - Undercounter**  
**Undercounter Chiller - Drawer**  
**NRT 2C 750 6D**



Due to continuous technical development, the image shown may not represent the latest design of the unit.

#### DESCRIPTION

Undercounter chiller with 750 mm depth with splashback and 6 drawers in 2 compartments.

Operating temperature from 2 to 12 degree Celcius.

Made entirely of AISI 304, internally and externally. User interface with digital control with black/white contrast for ease of monitoring. Non-CFC and HCFC polyurethane insulation with density of 40 kg per cubic meter. Powered with refrigerant type of R404a.

#### OTHER AVAILABLE MODELS

- NRT 1C 750 2D
- NRT 1C 750 3D
- NRT 2C 750 4D
- NRT 3C 750 6D
- NRT 3C 750 9D
- NRTA 1C 750 2D
- NRTA 1C 750 3D
- NRTA 2C 750 4D
- NRTA 2C 750 6D
- NRTA 3C 750 6D
- NRTA 3C 750 9D

#### MAIN FEATURES

- Undercounter chiller with 750 mm depth with splashback and 6 drawers in 2 compartments. Operating temperature from 2 to 12 degree Celcius.
- Internal volume of 320 liters with size of 926 x 620 x 570 mm.
- User interface with electronic control. Designed with black/white contract for ease of monitoring.
- Designed to perform under tropical with ambient condition of 38 degree Celcius
- Ducted cooling design, ensuring uniform temperature distribution among compartments.
- Cassette type refrigeration system designed for simple service and maintenance. Universal size for both chiller and freezer systems.
- Removable racking system.
- Includes lock and master key for all compartments.
- Self-closing doors with removable magnetic balloon gasket.
- Includes protection component against voltage drops.
- Fan-assisted defrost system.

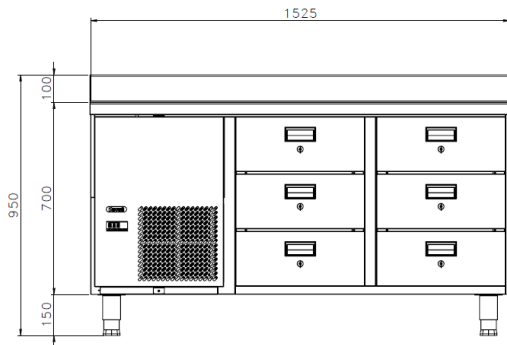
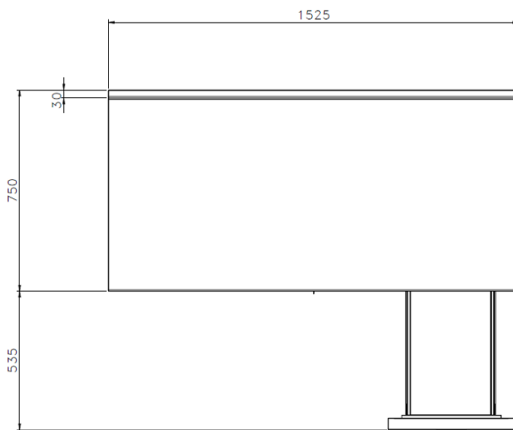
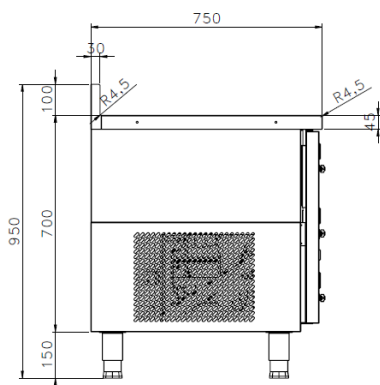
#### CONSTRUCTION

- External construction entirely with AISI 304. Including back panel.
- Internal construction entirely with AISI 304 with 2B surface finish.
- Top and front panel with AISI 304 with 1.0 mm thickness. Top profile is 45 mm height. Satin surface finishing.
- Side panel with AISI 304 with 0.5 mm thickness. Satin surface finishing.
- Door thickness of 42 mm.
- Internal chamber bottom is designed with radius for hygiene.
- Adjustable +/- 25 mm AISI leg. Can be dismantled and ready for concrete plinth installation.
- Condensor circulation with filter of 300 x 280 mm.
- Splashback model is equipped with 100 x 30 mm splashback.
- Body height is 700 mm without work top.

PT. NAYATI INDONESIA

[www.nayati.com](http://www.nayati.com)

Nayati reserves the right to make product alterations and or price adjustments at any time and can not be held responsible for any printing errors or omissions.

**FRONT****TOP****SIDE**

\*Overall dimension in mm

**TECHNICAL DATA****External Dimensions**

Width	: 1525 mm
Depth	: 750 mm
Height	: 850 mm

**Internal Dimensions**

Width	: 926 mm
Depth	: 620 mm
Height	: 570 mm
Volume	: 320 liters

**Refrigeration Properties**

Refrigerant	: R404a
Temperature	: 2 C ... 5 C
Control type	: Temperature control & configuration

**Electrical Supply Data**

Energy consumption	: 8.8 kW / 24 hours
Connected Load	: 524 W
Refrigeration Output	:
	: 612 W -10 degree C Evap. temperature

Voltage	: 230V, 1NPE AC / 50 Hz
Recommended fuse	: 13 A (slow)
Starting current	: 16 A
Running current	: 2.74 A

**Heat Emissions**

Direct heat emission	: 0.26 kW
----------------------	-----------

**PACKAGING DATA**

Width	: 1555 mm
Depth	: 780 mm
Height	: 970 mm
Volume	: 1.18 m <sup>3</sup>

**WEIGHT**

Net Weight	: 120 kg
Gross Weight	: 141 kg

**INCLUDED ACCESSORIES**

- Nylon-coated wire racks 325 x 540 mm.
- Power cable, H07RN-F (3x 2.5 mm).
- Condensor filter 300 x 280 mm.
- Door locks kit.

**OPTIONAL ACCESSORIES**

- Extra Nylon-coated wire racks 325 x 540 mm.

PT. NAYATI INDONESIA

www.nayati.com

Nayati reserves the right to make product alterations and or price adjustments at any time and can not be held responsible for any printing errors or omissions.

10/09/2021