

Refrigeration - Counter - 750

Counter Chiller - Glass Door

NRTA 3C 750 GD



Due to continuous technical development, the image shown may not represent the latest design of the unit.

DESCRIPTION

Refrigerated counter with 750 mm depth with 3 glass doors.

Operating temperature from +2 to +12 °C.

Made entirely of stainless steel AISI 304, internally and externally. High-density CFC/HCFC-free polyurethane insulation with a thickness of 70 mm. Hygienic interior with a dished floor pan. Electronic controller with built-in alarms for high/low temperatures and a numeric display for temperature and other functions. High-efficient refrigeration unit with refrigerant R404A.

OTHER AVAILABLE MODELS

- NRTA 2C 750 GD

MAIN FEATURES

- Refrigerated counter with 3 glass doors, compartments designed for GN 1/1 shelves and pans.
- Performs under tropical climate with an ambient temperature of +15 to +40 °C.
- Electronic controller with built-in alarms for high/low temperatures and a numeric display for temperature and other functions.
- Self-closing doors with heavy-duty hinges and non-tool removable balloon gaskets.
- Removable racking system with height-adjustable shelf runners in stainless steel and two PVC-coated wire shelves per compartment.
- Energy-efficient anti-condensation door/drawer mullion heaters.
- Lockable door with master keys offering security for the stored products.
- Ducted cold air distribution, ensuring uniform temperature ($\pm 2^{\circ}\text{C}$) among all compartments.
- Slide out/in cassette refrigeration system with a corrosion-resistant coated evaporator and removable condenser filter to support convenient on-site maintenance and servicing.
- Height adjustable, tubular stainless steel legs (-3/+50 mm)
- Off-cycle defrost.

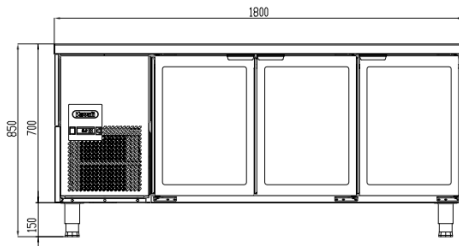
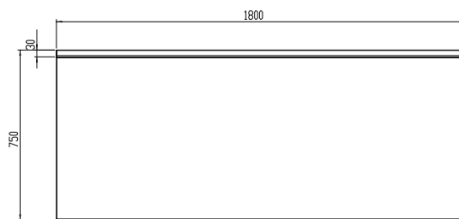
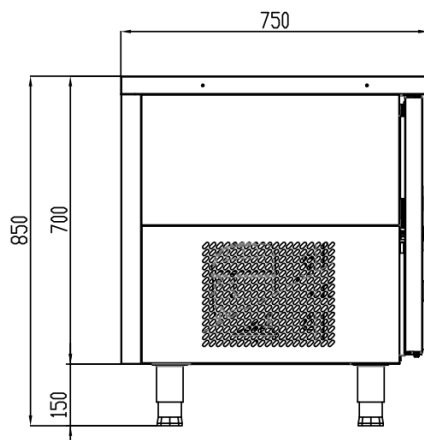
CONSTRUCTION

- External construction entirely made of stainless steel AISI 304, thickness 0.5 mm.
- Internal construction entirely made of stainless steel AISI 304, thickness 0.5 mm.
- Top and front panel stainless steel AISI 304 with 1 mm thickness and hairline surface pattern. Top height as of 45 mm.
- Side panel stainless steel AISI 304 with 0.5 mm thickness and hairline surface pattern
- Double glazed glass doors with a thickness of 70 mm.
- Insulated body with high-density CFC/HCFC-free polyurethane insulation of 70 mm. Top plate with 70 mm insulation.
- Easy to clean one-piece stainless steel dished floor with radiused corners for enhanced hygiene.
- Removable, washable condenser air filter.

PT. NAYATI INDONESIA

www.nayati.com

Nayati reserves the right to make product alterations and or price adjustments at any time and can not be held responsible for any printing errors or omissions.

FRONT**TOP****SIDE**

*Overall dimension in mm

TECHNICAL DATA**External Dimensions**

Width	: 1800 mm
Depth	: 750 mm
Height	: 850 mm

Internal Dimensions

Width	: 1280 mm
Depth	: 560 mm
Height	: 560 mm
Volume	: 401 liters

Refrigeration Properties

Refrigerant	: R404A
Temperature	: +2 °C ...12 °C
Control type	: Temperature controlled

Electrical Supply Data

Energy consumption	: N/A kW / 24 hours
Connected Load	: 0.7 W
Refrigeration Output	:
	700 W / to -10 °C

Voltage	: 230V, 1PNE AC / 50 Hz
Recommended fuse	: 10A (slow)
Starting current	: N/A A
Running current	: N/A A

Heat Emissions

Direct heat emission	: 0.49
----------------------	--------

PACKAGING DATA

Width	: 1860 mm
Depth	: 800 mm
Height	: 970 mm
Volume	: 1.44 m ³

WEIGHT

Net Weight	: 140 kg
Gross Weight	: 174 kg

INCLUDED ACCESSORIES

- Two PVC-coated wire shelves GN 1/1 per door compartment.
- Power cable, H07RN-F (3x 2.5 mm).
- Washable condenser filter.

OPTIONAL ACCESSORIES

- Additional PVC-coated wire shelves GN 1/1.

PT. NAYATI INDONESIA

www.nayati.com

Nayati reserves the right to make product alterations and or price adjustments at any time and can not be held responsible for any printing errors or omissions.

1/30/2025