

## Washing - Dishwasher

### Undercounter Dishwasher

#### NDWE 30/3P



Due to continuous technical development, the image shown may not represent the latest design of the unit.

#### DESCRIPTION

Undercounter dish washer with capacity of 30 racks per hour. Powered with 6 kW boiler heating element.

Suitable for bar, front and visible kitchen area.

#### INCLUDED ACCESSORIES

- Cutlery rack - PD.DWC51.
- 64 plate & tray rack - PD. DWC52.
- Water inlet hose 3/4" - PD.DWD45, Drain hose 1 1/4" - PD.DWC48.
- Power cable, H07RN-F (5 x 2.5 mm) p/mtr.

#### OPTIONAL ACCESSORIES

- N/A.

#### MAIN FEATURES

- Atmospheric boiler heating system. Incoming water to the tank is already pre-heated by the built-in boiler. Ensuring superior and faster cleaning results.
- Soft start washing for delicate glasses.
- Fully controlled electronically.
- Water consumption of 2.4 liter per cycle, 72 liters per hour, rack size of 500 x 500 mm, assuming water inlet is 2-4 bar, with 50-100 ppm CaCO<sub>3</sub> hardness.
- Washing capacity of 30 racks/hour, rack size of 500 x 500 mm.
- Touch screen panel.
- Fully automatic self-cleaning tank.
- Three default washing options: Light/Medium/Heavy Soil
- IPX5 water protection.
- Easily removable and cleanable washing and rinsing arms.
- Built-in rinse and detergent pumps.

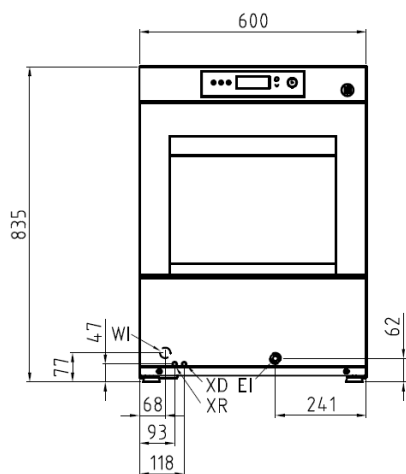
#### CONSTRUCTION

- Interior and exterior panel made entirely of stainless steel AISI 304.
- Washing arm and rinse arm made entirely of stainless steel AISI 304.
- Embedded handle, invincible and flushed, unperturbing against narrow aisle.
- Hinged door design with low-opening mechanism.

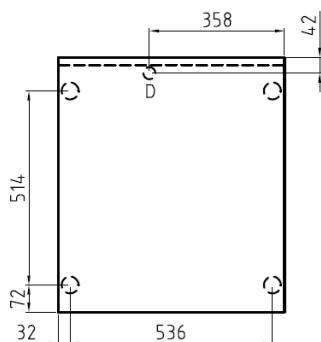
#### OTHER AVAILABLE MODELS

- NDWE 30/1P
- NDWE 20

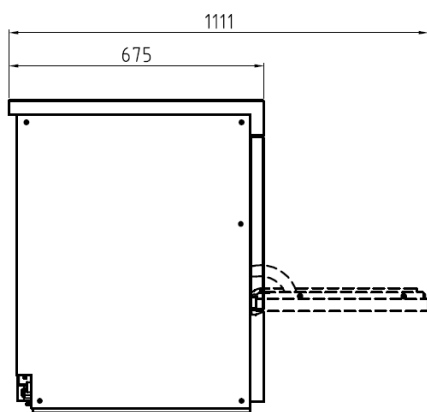
### FRONT



### TOP



### SIDE



\*Overall dimension in mm

### TECHNICAL DATA

#### External Dimensions

Width : 600 mm  
Depth : 750 mm  
Height : 830 mm

#### Operating Parameters

Basket type : 500 x 500 mm baskets.  
Capacity : Tank: 15 liters, Boiler: 10 liters.  
Temperature : Tank: 55 C - 60 C, Boiler: 85 C - 90 C  
Heating zones : Boiler: 6 kW, Tank: 2.2 kW.  
Control type : Smart touch screen programmable time, temperature, and dosage control.

#### Electrical Supply Data

Total connected load : 6 kW  
Voltage : 400V, 3NPE AC /50-60Hz  
Recommended fuse : 16 A (slow)

#### Connections

Water : DN 20 (3/4")  
Drain : DN 32 (1 1/4")

#### Heat & Steam Emissions

Direct heat emission : 6.5 kW  
Latent heat emission : 4.55 kW  
Steam emission : 6.5 kg/h

#### PACKAGING DATA

Width : 670 mm  
Depth : 780 mm  
Height : 1000 mm  
Volume : 0.6 m<sup>3</sup>

#### WEIGHT

Net Weight : 78 kg  
Gross Weight : 84 kg