

## Modular Cooking - Grandis

### Electric - Bain Marie

#### NEBM 8-90 GR



Due to continuous technical development, the image shown may not represent the latest design of the unit.

#### DESCRIPTION

Modular electric bain marie with 900 mm depth and 2 x 1/1 GN capacity with 11.5 liters of water bath, heated with double 1.8 kW round heater. Equipped with swing doors.

Usable for food warming before food distribution.

Made of AISI 304 with 2 mm top thickness, temperature controlled, fully welded basin with 2 x 1/1 GN capacity, round heater is capable in delivering high temperature with consistent result.

#### OTHER AVAILABLE MODELS

- NEBM 6-90 GR

#### MAIN FEATURES

- Powered with 2 set of 1.8 kW plate heaters.
- Basin is made of AISI 304 with depth of 210 mm.
- Usable water bath volume of 11.5 liters, equipped with overflow pipe.
- Manual water filling system with knob integrated on the front panel.
- Temperature control from 40 degree Celcius to 80 degree Celcius.

#### CONSTRUCTION

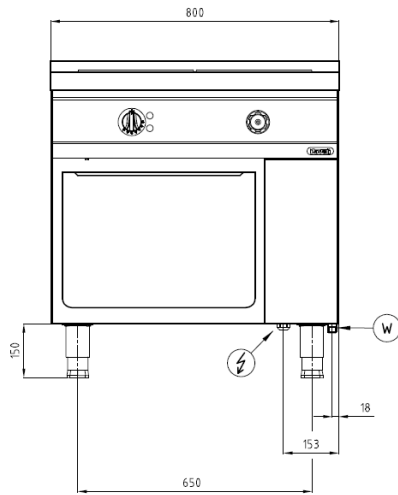
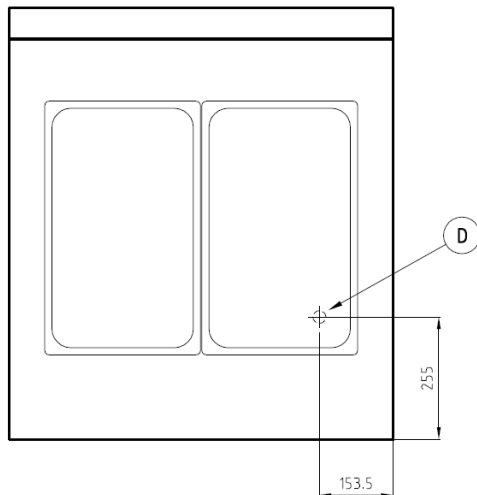
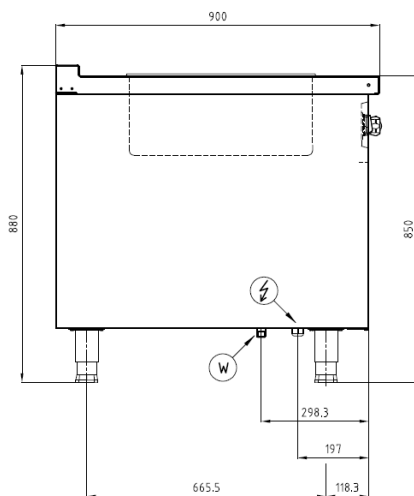
- External construction entirely with AISI 304.
- Top panel with 2 mm thickness. Orbital surface finishing: resistant toward scratches.
- Front panel is constructed of 1 mm AISI 304 with satin surface finish.
- Side panel is constructed of 0.8 mm AISI 304 with satin surface finish.
- Adjustable +/- 25 mm AISI leg.
- Cabinet executed with H2 radius.
- Connector between Grandis product on the front and the back.
- IPX4 water protection level.

#### INCLUDED ACCESSORIES

- Swing door.

#### OPTIONAL ACCESSORIES

- Joint clip GR.
- Power cable, H07RN-F (5 x 2.5 mm) p/mtr.
- Various GN Pan configuration
- Swing door 8-90 GR.

**FRONT****TOP****SIDE**

\*Overall dimension in mm

**TECHNICAL DATA****External Dimensions**

Width	: 800 mm
Depth	: 900 mm
Height	: 850/880 mm

**Cooking Surface**

Cooking zones	: 2 x GN 1/1, 630 x 510 mm
Heating zones	: 2
Control type	: Modulating temperature control

**Electrical Supply Data**

Total connected load	: 3.6 kW
Voltage	: 400V, 3NPE AC /50-60Hz
Recommended fuse	: 16 A (slow)

**Connections**

Water	: DN 15 (1/2")
Drain	: DN 20 (3/4")

**Heat & Steam Emissions**

Direct heat emission	: 0.45 kW
Latent heat emission	: 0.72 kW
Steam emission	: 1.06 kg/h

**PACKAGING DATA**

Width	: 830 mm
Depth	: 930 mm
Height	: 1000 mm
Volume	: 0.77 m <sup>3</sup>

**WEIGHT**

Net Weight	: 64 kg
Gross Weight	: 79 kg