

Modular Cooking - Amicus

Electric - Frit Warmer

NEFW 4-60 AM



Due to continuous technical development, the image shown may not represent the latest design of the unit.

DESCRIPTION

Table top frit warmer with 600 mm depth and 1 kW infra-red heater

Usable for warming up dry food prior to food distribution, especially french fries.

Made of AISI 304 with 1.2 mm top thickness, equipped with temperature control, food collector and salting pan.

OTHER AVAILABLE MODELS

- N/A

MAIN FEATURES

- Powered with 1 kW infrared heater.
- Includes perforated food collection basket.
- Includes salting pan with adjustable position.
- Ideally positioned next to a fryer.

CONSTRUCTION

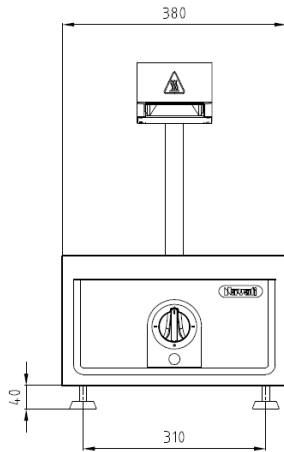
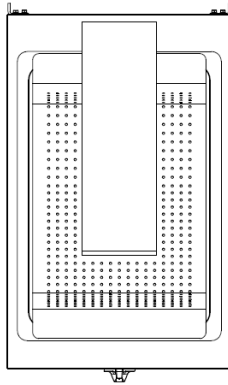
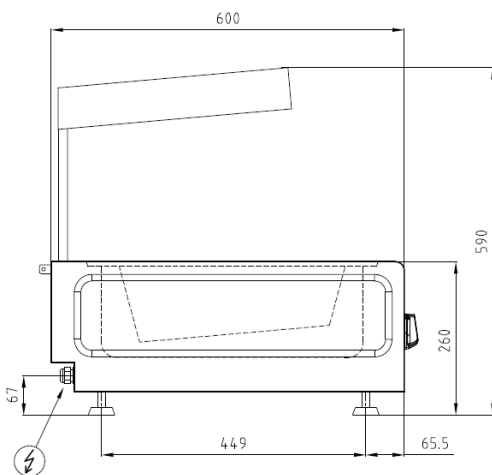
- External construction entirely with AISI 304.
- Top panel with 1.2 mm thickness. Orbital surface finishing: resistant toward scratches.
- Side panel with 1.2 mm deep-drawn surface.
- Front panel with 0.8 mm deep-drawn surface.
- Top panel with Orbital scratch-preventing finish.
- Rubber leg with 40 mm height
- Connector between Amicus product on the back.
- IPX4 water protection level.

INCLUDED ACCESSORIES

- Food collection basket
- Salting pan.
- Power cable, H07RN-F (3 x 2.5 mm).
- Amicus joining clip.

OPTIONAL ACCESSORIES

- N/A

FRONT**TOP****SIDE**

*Overall dimension in mm

TECHNICAL DATA**External Dimensions**

Width	: 380 mm
Depth	: 600 mm
Height	: 260/590 mm

Cooking Surface

Cooking zones	: 310 x 445 mm
Heating zones	: 1
Control type	: Modulating temperature control

Electrical Supply Data

Total connected load	: 1 kW
Voltage	: 230V, 1NPE AC / 50-60 Hz
Recommended fuse	: 6 A (slow)

Connections

Water	: N/A
Drain	: N/A

Heat & Steam Emissions

Direct heat emission	: 0.35 kW
Latent heat emission	: N/A
Steam emission	: N/A

PACKAGING DATA

Width	: 410 mm
Depth	: 630 mm
Height	: 710 mm
Volume	: 0.18 m ³

WEIGHT

Net Weight	: 17 kg
Gross Weight	: 21 kg