

Modular Cooking - Meritus

Electric - Hot Plate

NEHP 12-75 OC (ME)



Due to continuous technical development, the image shown may not represent the latest design of the unit.

DESCRIPTION

Modular electric hot plate with 750 mm depth, powered with 6 x 2.6 kW hot plate cast iron heaters. Equipped with open cabinet.

Usable for boiling, steaming, frying, braising, simmering and steam frying.

Made of AISI 304 with 1.5 mm top thickness, equipped with deep drawn collared square hot plate element.

OTHER AVAILABLE MODELS

- NEHP 4-75 (ME)
- NEHP 8-75 OC (ME)
- NEHP 8-75 (ME)
- NEHP 12-75 (ME)

MAIN FEATURES

- Powered with 6 x 2.6 kW square hot plate element.
- 6 hobs cooking zones.
- Rectangular hot plate with 220 x 220 mm designed for performance.
- Six levels of heating.
- Collared hot plate for better durability.
- Heating zones are recessed to minimized spillage.

CONSTRUCTION

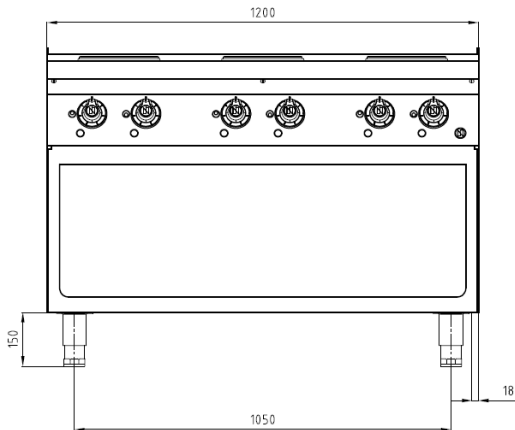
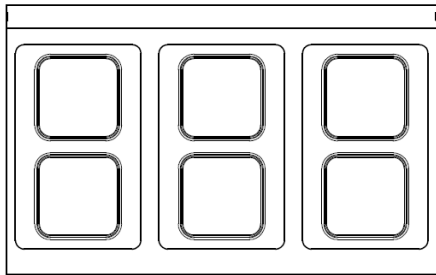
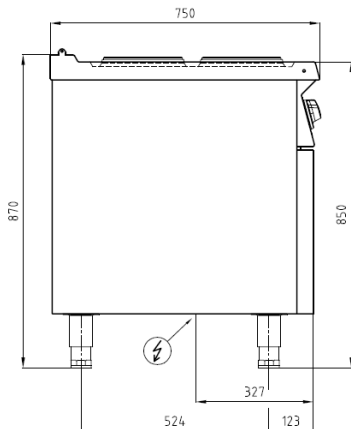
- External construction entirely with AISI 304.
- Top panel with 1.5 mm thickness. Orbital surface finishing: resistant toward scratches.
- Front panel is constructed of 0.8 mm AISI 304 with satin surface finish.
- Side panel is constructed of 0.8 mm AISI 304 with satin surface finish.
- Adjustable +/- 25 mm AISI leg.
- Nayati connection system between Meritus products on the front panels, cabinets, and splashbacks.
- Cabinet executed with H2 radius.
- Deep drawn front panel to minimize liquid penetration to the internal part.
- Gasket protection behind the knobs to prevent water to seeping in, prolonging main heating regulation parts.
- IPX5 water protection level.

INCLUDED ACCESSORIES

- N/A

OPTIONAL ACCESSORIES

- Power cable, H07RN-F (5 x 10 mm) p/mtr.
- Joint clip ME.

FRONT**TOP****SIDE**

*Overall dimension in mm

TECHNICAL DATA**External Dimensions**

Width	: 1200 mm
Depth	: 750 mm
Height	: 850/870 mm

Cooking Surface

Cooking zones	: 6 x 260 x 260 mm
Heating zones	: 6
Control type	: Modulating power control

Electrical Supply Data

Total connected load	: 15.6 kW
Voltage	: 400V, 3NPE AC /50-60Hz
Recommended fuse	: 25 A (slow)

Connections

Water	: N/A
Drain	: N/A

Heat & Steam Emissions

Direct heat emission	: 4.05 kW
Latent heat emission	: 1.65 kW
Steam emission	: 2.43 kg/h

PACKAGING DATA

Width	: 1230 mm
Depth	: 780 mm
Height	: 990 mm
Volume	: 0.95 m ³

WEIGHT

Net Weight	: 138 kg
Gross Weight	: 164 kg