

Modular Cooking - Grandis

Electric - Hot Plate

NEHP 12-90 OV GR



Due to continuous technical development, the image shown may not represent the latest design of the unit.

DESCRIPTION

Modular electric hot plate with 900 mm depth, powered with 6 sets of 4 kW hot plate heaters. Static 2/1 GN electric oven with 6 kW incoloy rod heater.

Usable for boiling, steaming, frying, braising, simmering and steam frying. Oven module usable for roasting and baking.

Made of AISI 304 with 2 mm top thickness, equipped with deep drawn collared hot plate element. Oven is sized for 2/1 GN with reflective AISI cavity for superior heat transfer.

OTHER AVAILABLE MODELS

- NEHP 12-90 GR
- NEHP 4-90 GR
- NEHP 8-90 GR
- NEHP 8-90 OV GR

MAIN FEATURES

- Powered with 6 sets of 4 kW hot plate heaters.
- Static 2/1 GN electric oven is powered with 6 kW incoloy heater 2/1 GN cavity and reflective AISI chamber to improve thermal efficiency.
- Rectangular hot plate with 300 x 300 mm designed for performance.
- Six levels of heating.
- Collared hot plate for better durability.
- Heating zones are recessed to minimized spillage.

CONSTRUCTION

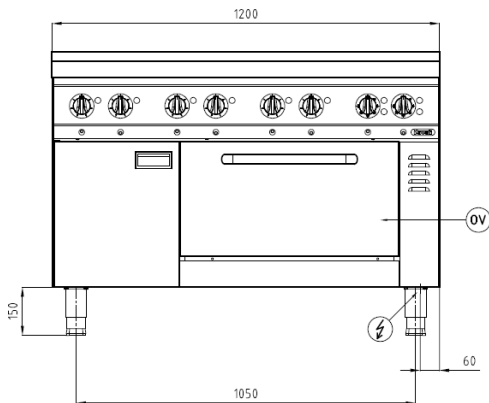
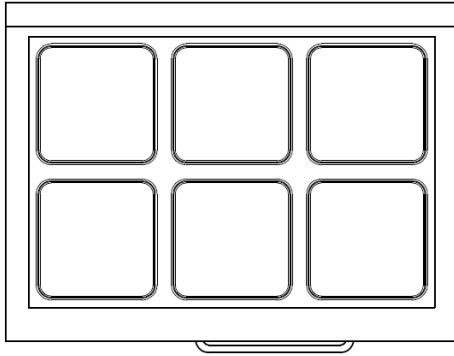
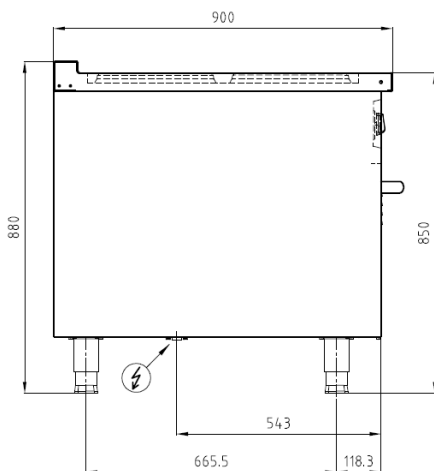
- External construction entirely with AISI 304.
- Top panel with 2 mm thickness. Orbital surface finishing: resistant toward scratches.
- Front panel is constructed of 1 mm AISI 304 with satin surface finish.
- Side panel is constructed of 0.8 mm AISI 304 with satin surface finish.
- Adjustable +/- 25 mm AISI leg.
- Connector between Grandis product on the front and the back.
- IPX4 water protection level.

INCLUDED ACCESSORIES

- 2/1 GN oven wire tray (1 pcs.).

OPTIONAL ACCESSORIES

- Joint clip GR.
- Power cable, H07RN-F (5 x 10 mm) p/mtr.

FRONT**TOP****SIDE**

*Overall dimension in mm

TECHNICAL DATA**External Dimensions**

Width	: 1200 mm
Depth	: 900 mm
Height	: 850/880 mm

Cooking Surface

Cooking zones	: Hot Plate: 6 x 300 x 300 mm, Oven : 575 x 666 mm
Heating zones	: 9
Control type	: Hot plate: Modulating power control, Oven: Modulating temperature control

Electrical Supply Data

Total connected load	: 30 kW
Voltage	: 400V, 3NPE AC /50-60Hz
Recommended fuse	: 50 A (slow)

Connections

Water	: N/A
Drain	: N/A

Heat & Steam Emissions

Direct heat emission	: 8.34 kW
Latent heat emission	: 3.48 kW
Steam emission	: 5.13 kg/h

PACKAGING DATA

Width	: 1230 mm
Depth	: 930 mm
Height	: 1000 mm
Volume	: 1.14 m ³

WEIGHT

Net Weight	: 199 kg
Gross Weight	: 224 kg