

Modular Cooking - Grandis

Electric - Hot Top

NEHT 8-90 OV GR



Due to continuous technical development, the image shown may not represent the latest design of the unit.

DESCRIPTION

Modular electric hot top with 900 mm depth, powered with 4 sets of 3.7 kW square incoloy heaters. Static 2/1 GN electric oven with 6 kW incoloy rod heater.

Usable for boiling, steaming, frying, braising, simmering and steam frying.

Made of AISI 304 with 2 mm top thickness, griddle is removable for service and flush fitted to the top surface. Griddle is made of 18 mm thick Molybdenum steel (16Mo5). Temperature can reach up to 450 degree Celcius. Oven is sized for 2/1 GN with reflective AISI cavity for superior heat transfer.

OTHER AVAILABLE MODELS

- NEHT 8-90 GR

MAIN FEATURES

- Powered with 4 zone of 3.7 kW square rod heaters.
- Static 2/1 GN electric oven is powered with 6 kW incoloy heater 2/1 GN cavity and reflective AISI chamber to improve thermal efficiency.
- Removable flush griddle constructed of Molybdenum steel (16Mo5) thickness of 18 mm, designed for very high temperature.
- 4 heating zones that heats up to 450 degree Celcius.

CONSTRUCTION

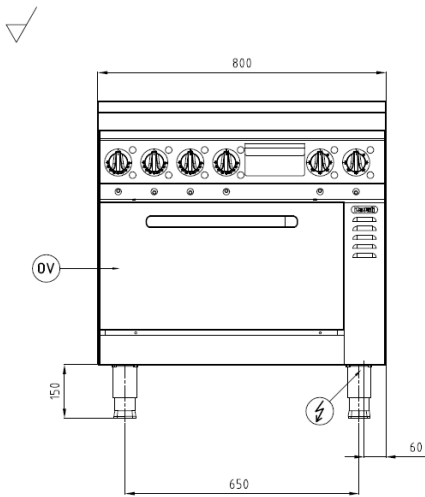
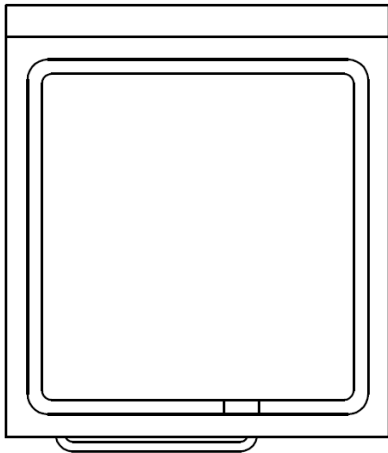
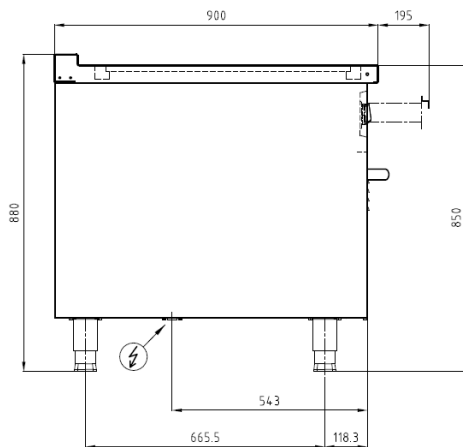
- External construction entirely with AISI 304.
- Top panel with 2 mm thickness. Orbital surface finishing: resistant toward scratches.
- Front panel is constructed of 1 mm AISI 304 with satin surface finish.
- Side panel is constructed of 0.8 mm AISI 304 with satin surface finish.
- Adjustable +/- 25 mm AISI leg.
- Connector between Grandis product on the front and the back.
- IPX4 water protection level.

INCLUDED ACCESSORIES

- 2/1 GN oven wire tray (1 pcs.).

OPTIONAL ACCESSORIES

- Joint clip GR.
- Power cable, H07RN-F (5 x 6 mm) p/mtr.

FRONT**TOP****SIDE**

*Overall dimension in mm

TECHNICAL DATA**External Dimensions**

Width	: 800 mm
Depth	: 900 mm
Height	: 850/880 mm

Cooking Surface

Cooking zones	: Hot Top : 650 x 680 mm, Oven : 575 x 666 mm
Heating zones	: 6
Control type	: Modulating temperature control

Electrical Supply Data

Total connected load	: 20.8 kW
Voltage	: 400V, 3NPE AC /50-60Hz
Recommended fuse	: 32 A (slow)

Connections

Water	: N/A
Drain	: N/A

Heat & Steam Emissions

Direct heat emission	: 5.95 kW
Latent heat emission	: 2.51 kW
Steam emission	: 3.7 kg/h

PACKAGING DATA

Width	: 830 mm
Depth	: 930 mm
Height	: 1000 mm
Volume	: 0.77 m ³

WEIGHT

Net Weight	: 181 kg
Gross Weight	: 203 kg