

Modular Cooking - Amicus

Electric - Wok Induction

NEWI 4-60 1AM



Due to continuous technical development, the image shown may not represent the latest design of the unit.

DESCRIPTION

Table top electric wok induction with 3.5 kW coil induction.

Usable for wok sauteeing, boiling, simmering and shallow frying.

Made of AISI 304 with 1.2 mm top thickness, equipped with Modulating power control, curved 5 mm wok glass with collar protection for better durability.

OTHER AVAILABLE MODELS

- NEFI 4-60 1AM

MAIN FEATURES

- Powered with 3.5 kW induction coil
- Controlled with gradual 9 power level and timer function. Completed with LED indicator.
- Induction coil with 120 mm diameter
- Glass diameter of 290 mm.
- Induction generator is cooled with the filter system underneath.
- Thermal-cut off when overheated.

CONSTRUCTION

- External construction entirely with AISI 304.
- Top panel with 1.2 mm thickness. Orbital surface finishing: resistant toward scratches.
- Side panel with 1.2 mm deep-drawn surface.
- Front panel with 0.8 mm deep-drawn surface.
- Top panel with Orbital scratch-preventing finish.
- Rubber leg with 40 mm height
- Connector between Amicus product on the back.
- IPX4 water protection level.

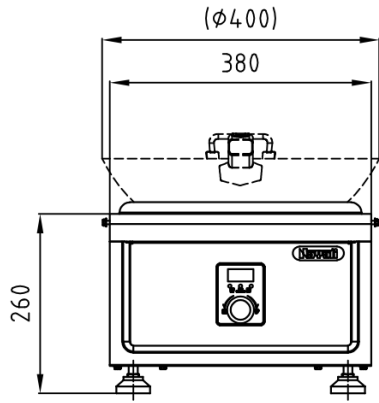
INCLUDED ACCESSORIES

- Power cable, H07RN-F (3x 2.5 mm).
- Amicus joining clip.
- 40 cm double ear wok made of Stainless Steel 409.

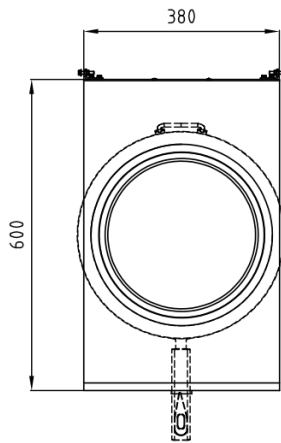
OPTIONAL ACCESSORIES

- Ferritic wok.

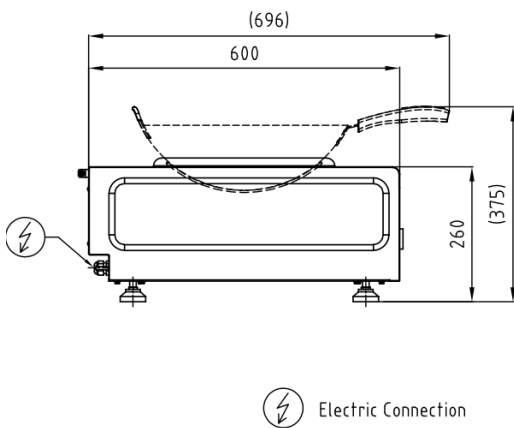
FRONT



TOP



SIDE



 Electric Connection

*Overall dimension in mm

TECHNICAL DATA

External Dimensions

Width : 380 mm
Depth : 600 mm
Height : 260 mm

Cooking Surface

Cooking zones : ϕ 290 mm
Heating zones : 1
Control type : Modulating power control

Electrical Supply Data

Total connected load : 3.5 kW
Voltage : 230V, 1PNE AC / 50-60 Hz
Recommended fuse : 20 A (slow)

Connections

Water : N/A
Drain : N/A

Heat & Steam Emissions

Direct heat emission : 0.7 kW
Latent heat emission : 0.28 kW
Steam emission : 0.41 kg/h

PACKAGING DATA

Width : 410 mm
Depth : 730 mm
Height : 500 mm
Volume : 0.15 m³

WEIGHT

Net Weight : 18 kg
Gross Weight : 22 kg