

Refrigeration - Undercounter

Undercounter Freezer

NFTA 3C 750



Due to continuous technical development, the image shown may not represent the latest design of the unit.

DESCRIPTION

Undercounter freezer with 750 mm depth and 3 doors.

Operating temperature from -18 to -20 degree Celcius.

Made entirely of AISI 304, internally and externally. User interface with digital control with black/white contrast for ease of monitoring. Non-CFC and HCFC polyurethane insulation with density of 40 kg per cubic meter. Powered with refrigerant type of R404a.

OTHER AVAILABLE MODELS

- NFT 2C 750
- NFT 3C 750
- NFTA 2C 750

MAIN FEATURES

- Undercounter freezer with 750 mm depth and 3 doors. Operating temperature from -18 to -20 degree Celcius.
- Internal volume of 490 liters with size of 1396 x 620 x 570 mm.
- User interface with electronic control. Designed with black/white contract for ease of monitoring.
- Designed to perform under tropical with ambient condition of 38 degree Celcius
- Ducted cooling design, ensuring uniform temperature distribution among compartments.
- Cassette type refrigeration system designed for simple service and maintenance. Universal size for both chiller and freezer systems.
- Removable racking system.
- Includes lock and master key for all compartments.
- Self-closing doors with removable magnetic balloon gasket.
- Includes protection component against voltage drops.
- Electric heating defrost system.

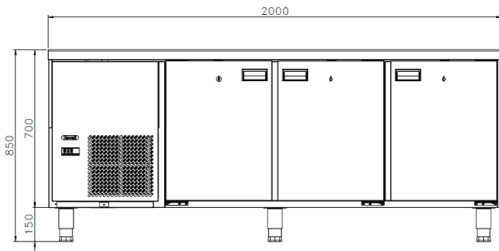
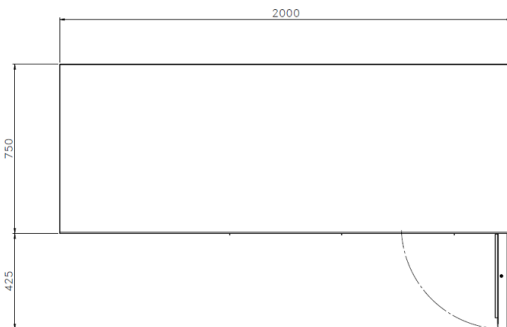
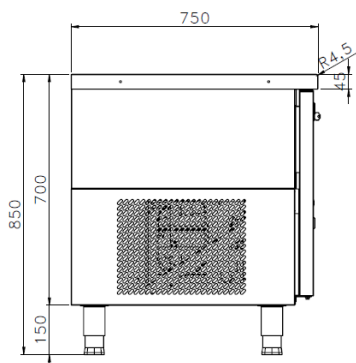
CONSTRUCTION

- External construction entirely with AISI 304. Including back panel.
- Internal construction entirely with AISI 304 with 2B surface finish.
- Top and front panel with AISI 304 with 1.0 mm thickness. Top profile is 45 mm height. Satin surface finishing.
- Side panel with AISI 304 with 0.5 mm thickness. Satin surface finishing.
- Door thickness of 42 mm.
- Internal chamber bottom is designed with radius for hygiene.
- Adjustable +/- 25 mm AISI leg. Can be dismantled and ready for concrete plinth installation.
- Condensor circulation with filter of 300 x 280 mm.
- Splashback model is equipped with 100 x 30 mm splashback.
- Body height is 700 mm without work top.

PT. NAYATI INDONESIA

www.nayati.com

Nayati reserves the right to make product alterations and or price adjustments at any time and can not be held responsible for any printing errors or omissions.

FRONT**TOP****SIDE**

*Overall dimension in mm

TECHNICAL DATA**External Dimensions**

Width	: 2000 mm
Depth	: 750 mm
Height	: 850 mm

Internal Dimensions

Width	: 1396 mm
Depth	: 620 mm
Height	: 570 mm
Volume	: 490 liters

Refrigeration Properties

Refrigerant	: R404a
Temperature	: -15 C ... -18 C
Control type	: Temperature control & configuration

Electrical Supply Data

Energy consumption	: 10.1 kW / 24 hours
Connected Load	: 712 W
Refrigeration Output	:
	508 W -30 degree C Evap. temperature

Voltage	: 230V, 1NPE AC / 50 Hz
Recommended fuse	: 16 A (slow)
Starting current	: 18.5 A
Running current	: 2.1 A

Heat Emissions

Direct heat emission	: 0.29 kW
----------------------	-----------

PACKAGING DATA

Width	: 2030 mm
Depth	: 780 mm
Height	: 970 mm
Volume	: 1.54 m ³

WEIGHT

Net Weight	: 142 kg
Gross Weight	: 176 kg

INCLUDED ACCESSORIES

- Nylon-coated wire racks 325 x 540 mm.
- Power cable, H07RN-F (3x 2.5 mm).
- Condensor filter 300 x 280 mm.
- Door locks kit.

OPTIONAL ACCESSORIES

- Extra Nylon-coated wire racks 325 x 540 mm.

PT. NAYATI INDONESIA

www.nayati.com

Nayati reserves the right to make product alterations and or price adjustments at any time and can not be held responsible for any printing errors or omissions.

04/09/2021