

Modular Cooking - Amicus

Gas - Open Burner

NGOB1 4-60 AM



Due to continuous technical development, the image shown may not represent the latest design of the unit.

DESCRIPTION

Table top gas single open burner broiler with 600 mm depth and single 7.5 kW open burner.

Usable for boiling, steaming, frying, braising, simmering and steam frying.

Made of AISI 304 with 1.2 mm top thickness, manual ignited, fully welded basin for hygiene purpose, galvanized coated cast iron burner.

OTHER AVAILABLE MODELS

- NGOB 4-60 AM

MAIN FEATURES

- Powered with a single 7.5 kW cast iron open burner
- Fully-welded basin for hygiene.
- Cast iron pot holder with long fin to support various size of pot or pan.
- Equipped with flame failure device.

CONSTRUCTION

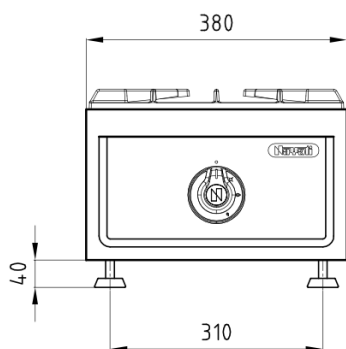
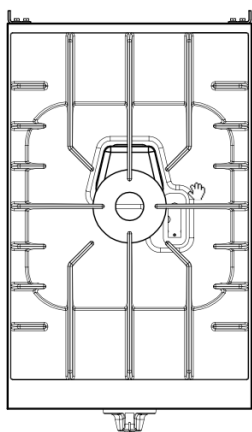
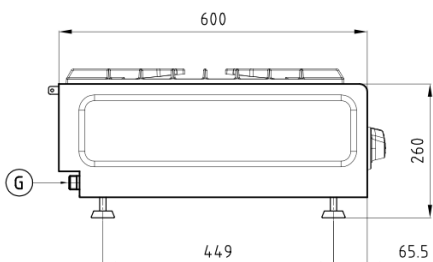
- External construction entirely with AISI 304.
- Top panel with 1.2 mm thickness. Orbital surface finishing: resistant toward scratches.
- Side panel with 1.2 mm deep-drawn surface.
- Front panel with 0.8 mm deep-drawn surface.
- Top panel with Orbital scratch-preventing finish.
- Rubber leg with 40 mm height
- Connector between Amicus product on the back.

INCLUDED ACCESSORIES

- G20 Conversion Kit
- Amicus joining clip.
- Cast iron pot holder.

OPTIONAL ACCESSORIES

- N/A

FRONT**TOP****SIDE**

*Overall dimension in mm

TECHNICAL DATA**External Dimensions**

Width	: 380 mm
Depth	: 600 mm
Height	: 260 mm

Cooking Surface

Cooking zones	: 370 x 540 mm
---------------	----------------

Gas Power Rating

Heat input total	: LPG/Natural Gas 7.5 kW
No. of burners	: 1
Control type	: High - low power control
Gas type options	: LPG G30, G31 Natural Gas G20, G25

Connections

Gas	: DN 20 (3/4")
Water	: N/A
Drain	: N/A

Heat & Steam Emissions

Direct heat emission	: 1.75 kW
Latent heat emission	: 0.7 kW
Steam emission	: 1.03 kg/h

PACKAGING DATA

Width	: 410 mm
Depth	: 630 mm
Height	: 380 mm
Volume	: 0.10 m ³

WEIGHT

Net Weight	: 21 kg
Gross Weight	: 25 kg