

Modular Cooking - Grandis

Gas - Range

NGTR 12-90 GR



Due to continuous technical development, the image shown may not represent the latest design of the unit.

DESCRIPTION

Modular gas open burner with 900 mm depth and 6 hobs, 3 sets of 5.5 kW and 10 kW cast iron burners. Equipped with open cabinet.

Usable for boiling, steaming, frying, braising, simmering and steam frying.

Made of AISI 304 with 2 mm top thickness, manual ignited, fully welded basin for hygiene purpose, galvanized coated cast iron burner.

OTHER AVAILABLE MODELS

- NGR 12-90 GR
- NGR 8-90 GR
- NGTR 8-90 GR
- NGR 8-90 DFX EOY GR
- NGTR 4-90 GR
- NGR 12-90 DFX EOY GR

MAIN FEATURES

- Powered with a 6 hobs, 3 sets of 5.5 kW and 10 kW cast iron open burner.
- Fully-welded basin for hygiene.
- Cast iron pot holder with long fin to support various size of pot or pan.
- Equipped with flame failure device.
- The optimized pan diameter for 5.5 kW burner is between 240-460 mm.
- The optimized pan diameter for 10 kW burner is between 300-500 mm.

CONSTRUCTION

- External construction entirely with AISI 304.
- Top panel with 2 mm thickness. Orbital surface finishing: resistant toward scratches.
- Front panel is constructed of 1 mm AISI 304 with satin surface finish.
- Side panel is constructed of 0.8 mm AISI 304 with satin surface finish.
- Adjustable +/- 25 mm AISI leg.
- Cabinet executed with H2 radius.
- Connector between Grandis product on the front and the back.

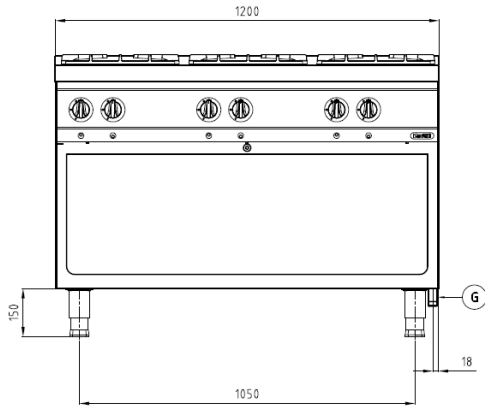
INCLUDED ACCESSORIES

- G20 Conversion Kit
- Cast iron pot holder.

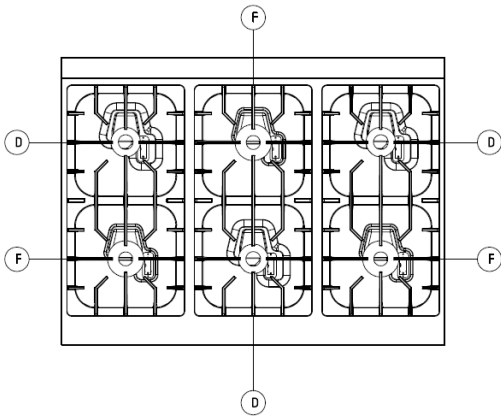
OPTIONAL ACCESSORIES

- Stainless steel pot holder GR.
- Joint clip GR.
- Swing door 12-90 GR.

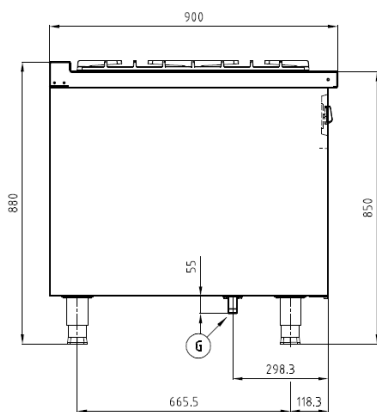
FRONT



TOP



SIDE



*Overall dimension in mm

TECHNICAL DATA

External Dimensions

Width : 1200 mm
Depth : 900 mm
Height : 850/910 mm

Cooking Surface

Cooking zones : 3 x 370 x 725 mm

Gas Power Rating

Heat input total : LPG/Natural Gas 46.5 kW
No. of burners : 6
Control type : High - low power control
Gas type options : LPG G30, G31
Natural Gas G20, G25

Connections

Gas : DN 20 (3/4")
Water : N/A
Drain : N/A

Heat & Steam Emissions

Direct heat emission : 11.63 kW
Latent heat emission : 4.65 kW
Steam emission : 6.84 kg/h

PACKAGING DATA

Width : 1230 mm
Depth : 930 mm
Height : 1030 mm
Volume : 1.18 m³

WEIGHT

Net Weight : 102 kg
Gross Weight : 143 kg