

Oriental Cooking - Wok Range

Gas - Wok Euro Line

NGER 4-60



Due to continuous technical development, the image shown may not represent the latest design of the unit.

DESCRIPTION

Single burner gas wok with a power rate of 11.5/13 kW (LPG/LNG). Compact design with a depth of 600 mm. Due to the versatile usage as a wok unit, open burner or pot cooker, it is suitable for various methods of Oriental and Western cooking.

This wok is the perfect choice for any kitchen with a smaller footprint.

Made of stainless steel AISI 304 with a deep-drawn 3.2 mm strong, reinforced top panel, burner with a cast iron potholder and a stainless steel wok ring. Equipped with a drawer below the burner to collect grease, food debris and spillages for easy cleaning and enhanced hygienic.

OTHER AVAILABLE MODELS

- NGER 9-60
- NGER 15-60
- NGER 20-60

MAIN FEATURES

- One atmospheric burner with a power rate of 11.5/13 kW (LPG/LNG).
- Cast iron potholder.
- Manual ignition.
- Equipped with pilot burner, safety thermo-couple, gas valve and gas control knob.
- Grease/food debris collection drawer below each burner.
- Suitable for wok-pan sizes Ø 14-18" (355-457 mm) and for pan sizes Ø 7-9" (178-230 mm).
- CE certified unit.

CONSTRUCTION

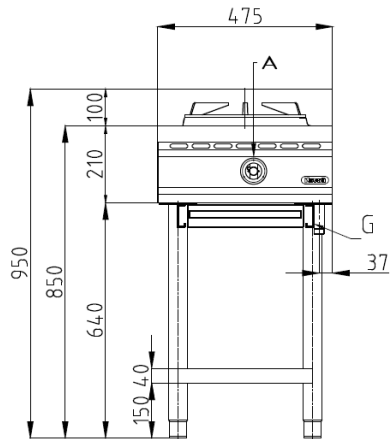
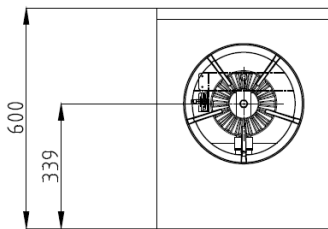
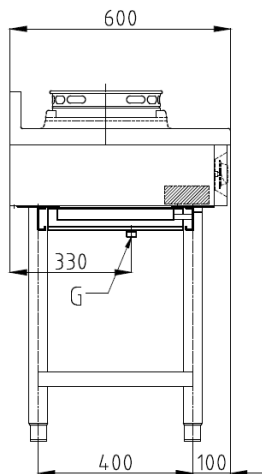
- Sturdy frame made of stainless steel AISI 430.
- Deep drawn, reinforced stainless steel top panel (3.2 mm), AISI 304 with hairline surface pattern.
- Front and side panels made of stainless steel AISI 304 with hairline surface pattern (1.0 mm).
- Backsplash made of stainless steel AISI 304 with hairline surface pattern (1.0 mm).
- Tubular, height adjustable (± 25 mm) stainless steel legs.
- Type of installation: free standing.
- Frame, top and panels, all made of high-grade stainless steel.

INCLUDED ACCESSORIES

- Stainless steel wok ring Ø 290 mm.

OPTIONAL ACCESSORIES

- N/A

FRONT**TOP****SIDE**

*Overall dimension in mm

TECHNICAL DATA**External Dimensions**

Width	: 475 mm
Depth	: 600 mm
Height	: 850/950 mm

Cooking Surface

Wok burners	: Ø 280 mm
Soup burners	: N/A

Gas Power Rating

Heat input total	: LPG 11.5 kW, LNG 13 kW
No. of burners	: 1
Control type	: High-low power control
Gas type options:	LPG G30, G31 LNG G20, G25

Connections

Gas	: DN 20 (3/4")
Water	: N/A
Drain	: N/A

Heat & Steam Emissions

Direct heat emission	: LPG 2.87 kW , LNG 3.25 kW
Latent heat emission	: LPG 1.73 kW , LNG 1.95 kW
Steam emission	: LPG 3.05 kg/h , LNG 3.45 kg/h

PACKAGING DATA

Width	: 505 mm
Depth	: 630 mm
Height	: 545 mm
Volume	: 0.17 m ³

WEIGHT

Net Weight	: 34 kg
Gross Weight	: 47 kg