

**Oriental Cooking - Wok Range**  
**Gas - Wok Kwalie High Pressure**  
**NGKH 15-90**



Due to continuous technical development, the image shown may not represent the latest design of the unit.

#### DESCRIPTION

Gas wok with two powerful, high-pressure burners, each with a power rate of 35 kW. Compact, efficient and suitable for various methods of Oriental cooking, the NGKH high-pressure wok is the perfect choice for any kitchen.

Made of stainless steel with a slanted, deep drawn 3.2 mm strong, reinforced top panel with heavy-duty removable cast iron wok rings. Cold-water supply with one swivel faucet mounted on the backsplash, easily operable from the front panel.

The intelligent deck cooling & cleaning system with spray nozzles guarantee an efficient cooling of the top panel and an enhanced hygienic as food debris are flushed away towards the drain channel in the front. The built-in strainer avoids congestions of the drain.

#### OTHER AVAILABLE MODELS

- NGKH 7-90
- NGKH 22-90

#### MAIN FEATURES

- Two atmospheric, high-pressure burners with a power rate of 35 kW each.
- Manual ignition.
- Equipped with pilot burners, safety thermocouples, gas valves, gas knee levers.
- Slanted, deep drawn, reinforced (3.2 mm) top panel with drain channel and removable strainer in the front for easy operation.
- Cold-water supply with one swivel faucet mounted on the backsplash.
- Deck cooling & cleaning system with spray nozzles for maximum hygiene.
- Suitable for wok-pan sizes Ø 14-18" (355-457 mm).

#### CONSTRUCTION

- Sturdy frame made of stainless steel AISI 430.
- Slanted, reinforced deep drawn stainless steel top panel (3.2 mm), AISI 304 with hairline surface pattern.
- Front and side panels made of stainless steel AISI 430 with hairline surface pattern (0.8 mm).
- Backsplash made of stainless steel AISI 304 with hairline surface pattern (1.2 mm).
- Tubular, height adjustable ( $\pm 25$  mm) stainless steel legs.
- Type of installation: free standing.
- Frame, top and panels, all made of high-grade stainless steel.

#### INCLUDED ACCESSORIES

- Wok stand (2 pcs)

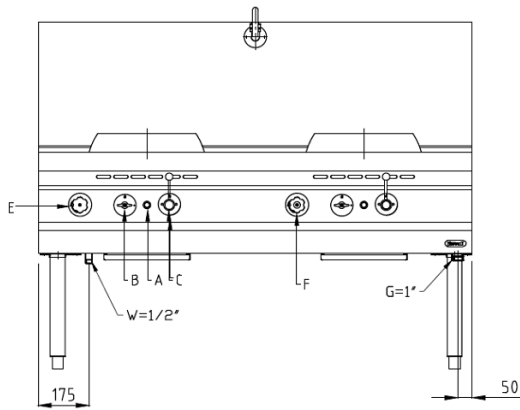
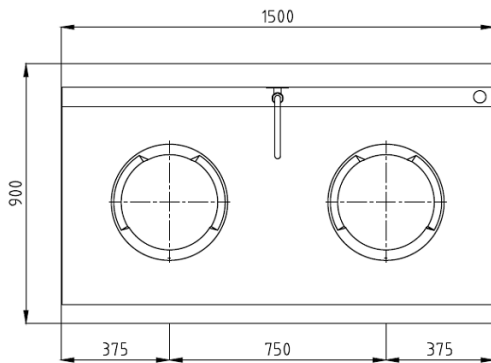
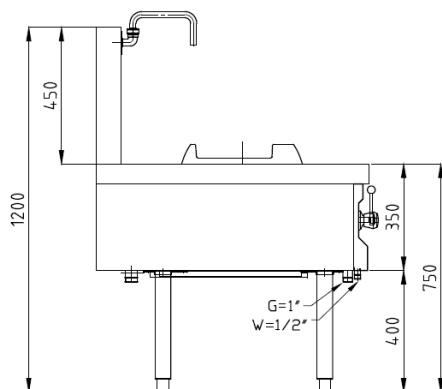
#### OPTIONAL ACCESSORIES

- Ladle / basket holder
- Condiment tray made of stainless steel AISI 304 (300x300 mm).

PT. NAYATI INDONESIA

[www.nayati.com](http://www.nayati.com)

Nayati reserves the right to make product alterations and or price adjustments at any time and can not be held responsible for any printing errors or omissions.

**FRONT****TOP****SIDE**

\*Overall dimension in mm

**TECHNICAL DATA****External Dimensions**

Width	: 1500 mm
Depth	: 900 mm
Height	: 750/1200 mm

**Cooking Surface**

Wok burners	: 2 x Ø 330 mm
Soup burners	: N/A

**Gas Power Rating**

Heat input total	: LPG 70 kW
No. of burners	: 2
Control type	: Open-close valve
Gas type options	: LPG 0.5...1.0 bar LNG N/A

**Connections**

Gas	: DN25 (1")
Water	: DN15 (1/2")
Drain	: DN32 (1 1/4")

**Heat & Steam Emissions**

Direct heat emission	: LPG 17.5 kW
Latent heat emission	: LPG 10.50 kW
Steam emission	: LPG 18.56 kg/h

**PACKAGING DATA**

Width	: 1530 mm
Depth	: 930 mm
Height	: 1320 mm
Volume	: 1.88 m <sup>3</sup>

**WEIGHT**

Net Weight	: 135 kg
Gross Weight	: 167 kg