

## Oriental Cooking - Pot Cooker

### Gas - Pot Cooker

#### NGTL 6-75



Due to continuous technical development, the image shown may not represent the latest design of the unit.

#### DESCRIPTION

Gas pot cooker with one powerful burner of 24 kW power rate. Compact design with height adjustable legs and a backslash.

Designed for durability to cater medium volume of boiling and simmering, this stock pot cooker is the perfect solution for every Asian kitchen.

Made of stainless steel with a with a 1.2 mm strong top panel. The burner is equipped with a cast iron potholder.

#### OTHER AVAILABLE MODELS

- NGTL 6-75 NSB
- NGTL 12-75
- NGETL 5-50

#### MAIN FEATURES

- One atmospheric burner with a power rate of 24 kW.
- Large cast iron potholder for heavy duty use.
- Manual ignition.
- Equipped with pilot burner, safety thermo-couple, gas valve and gas control knob.

#### CONSTRUCTION

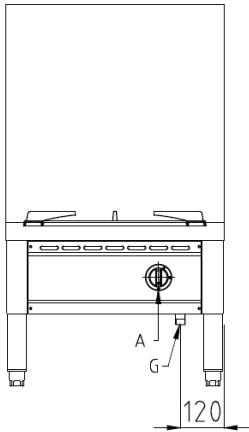
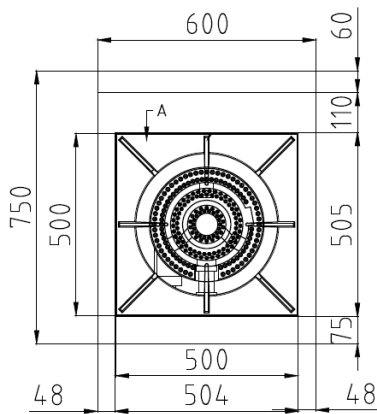
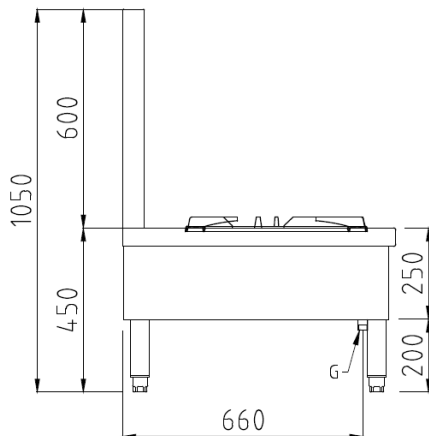
- Sturdy frame made of stainless steel AISI 430.
- Stainless steel top panel (1.2 mm), AISI 304 with orbital surface pattern.
- Front and side panels made of stainless steel AISI 430 with hairline surface pattern (1.0 mm).
- Backslash made of stainless steel AISI 304 with hairline surface pattern (1.0 mm).
- Tubular, height adjustable ( $\pm 25$  mm) stainless steel legs.
- Type of installation: free standing.
- Frame, top, panels and legs all made of high-grade stainless steel.

#### INCLUDED ACCESSORIES

- N/A

#### OPTIONAL ACCESSORIES

- N/A

**FRONT****TOP****SIDE**

\*Overall dimension in mm

**TECHNICAL DATA****External Dimensions**

Width	: 600 mm
Depth	: 750 mm
Height	: 450/1050 mm

**Cooking Surface**

Wok burners	: Ø 500
Soup burners	: N/A

**Gas Power Rating**

Heat input total	: LPG/LNG 24 kW
No. of burners	: 1
Control type	: High-low power control
Gas type options:	LPG G30, G31 LNG G20, G25

**Connections**

Gas	: DN 20 (3/4")
Water	: N/A
Drain	: N/A

**Heat & Steam Emissions**

Direct heat emission	: LPG/LNG 6 kW
Latent heat emission	: LPG/LNG 3.6 kW
Steam emission	: LPG/LNG 6.36 kg/h

**PACKAGING DATA**

Width	: 680 mm
Depth	: 780 mm
Height	: 1120 mm
Volume	: 0.59 m <sup>3</sup>

**WEIGHT**

Net Weight	: 39 kg
Gross Weight	: 58 kg