

Smart Oven - Convection Oven

Electric - Convection Oven

NBSO 8-S



Due to continuous technical development, the image shown may not represent the latest design of the unit.

DESCRIPTION

Stand for NBE 8T1.

Made entirely of stainless steel 304 with square tubes and fully welded to minimize dirt accumulation.

OTHER AVAILABLE MODELS

- N/A

MAIN FEATURES

Designed to store 8 bakery tray under NBE 8T1.

CONSTRUCTION

- Exterior panel constructed from stainless steel 304.

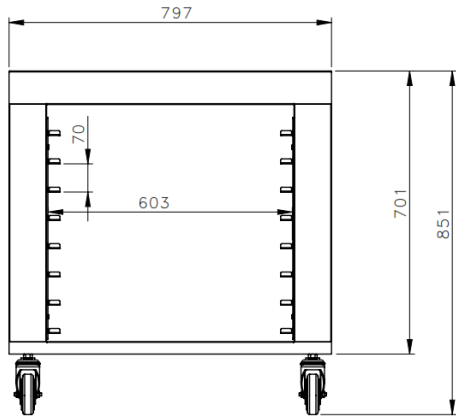
INCLUDED ACCESSORIES

- N/A.

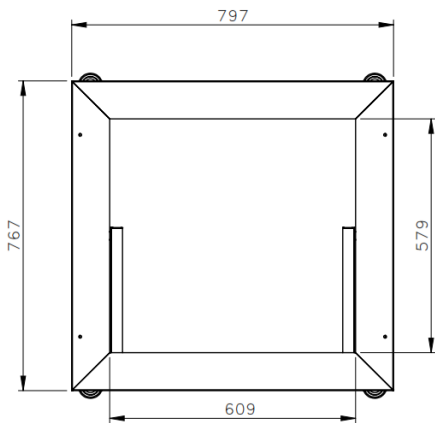
OPTIONAL ACCESSORIES

- N/A

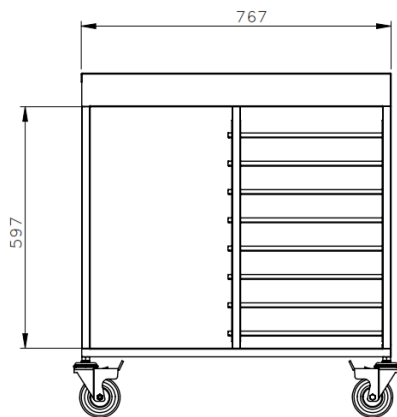
FRONT



TOP



SIDE



*Overall dimension in mm

TECHNICAL DATA

External Dimensions

Width : 797 mm
 Depth : 767 mm
 Height : 851 mm

PACKAGING DATA

Width : 850 mm
 Depth : 820 mm
 Height : 900 mm
 Volume : 0.63 m³

WEIGHT

Net Weight : 32.5 kg
 Gross Weight : 39.5 kg

PT. NAYATI INDONESIA

www.nayati.com

Nayati reserves the right to make product alterations and or price adjustments at any time and can not be held responsible for any printing errors or omissions.

23/01/2021