

Smart Oven - Convection Oven

Gas - Convection Oven

NBSO 1011



Due to continuous technical development, the image shown may not represent the latest design of the unit.

DESCRIPTION

Stand for NGCO 1011.

Made entirely of stainless steel 304 with square tubes and fully welded to minimize dirt accumulation.

OTHER AVAILABLE MODELS

- N/A

MAIN FEATURES

Designed to store 8 gastronorm pan or bakery tray under NGCO 1011.

CONSTRUCTION

- Exterior panel constructed from stainless steel 304.

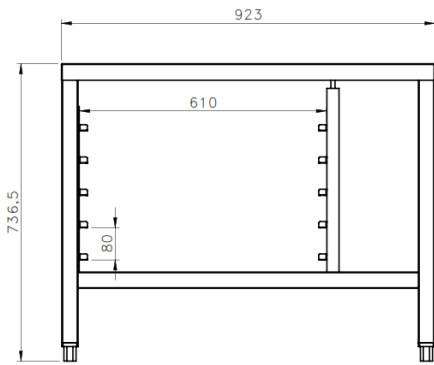
INCLUDED ACCESSORIES

- N/A.

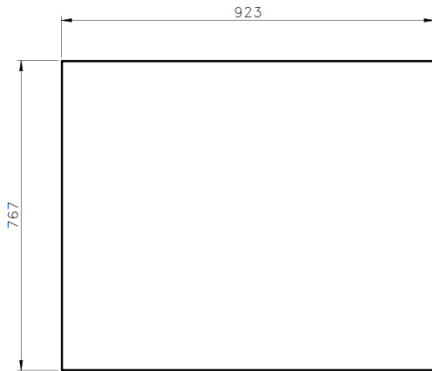
OPTIONAL ACCESSORIES

- N/A

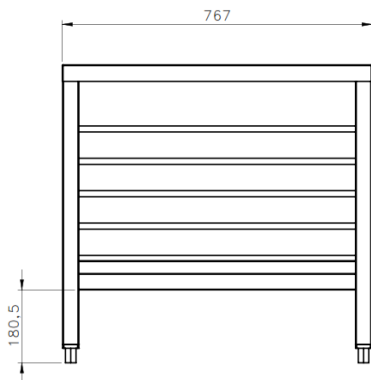
FRONT



TOP



SIDE



*Overall dimension in mm

TECHNICAL DATA

External Dimensions

Width : 923 mm
 Depth : 767 mm
 Height : 736.5 mm

PACKAGING DATA

Width : 975 mm
 Depth : 820 mm
 Height : 790 mm
 Volume : 0.63 m³

WEIGHT

Net Weight : 55 kg
 Gross Weight : 63 kg