

## Modular Cooking - Grandis

### Neutral Counter

#### NNWC 4-90 GR



Due to continuous technical development, the image shown may not represent the latest design of the unit.

#### DESCRIPTION

Modular neutral working counter with 900 mm depth, 3600 square-centimeter working area.

Usable for preparation phase before/after cooking processes and storage of crockery and tools.

Made of AISI 304 with 2 mm top thickness.

#### OTHER AVAILABLE MODELS

- NNWC 6-90 GR
- NNWC 8-90 GR
- NNWC 4-90 GR DR
- NNWC 6-90 GR DR
- NNWC 8-90 GR DR
- NNWC 4-90 GR D
- NNWC 6-90 GR D
- NNWC 8-90 GR D
- NNWC 4-90 GR D DR
- NNWC 6-90 GR D DR
- NNWC 8-90 GR D DR

#### MAIN FEATURES

- Neutral working counter with 400 x 900 mm surface.
- Open cabinet without door.

#### CONSTRUCTION

- External construction entirely with AISI 304.
- Top panel with 2 mm thickness. Orbital surface finishing: resistant toward scratches.
- Front panel is constructed of 1 mm AISI 304 with satin surface finish.
- Side panel is constructed of 0.8 mm AISI 304 with satin surface finish.
- Tubular, height adjustable (-3...+50 mm) stainless steel legs.
- Cabinet executed with H2 radius.
- IPX4 water protection level.

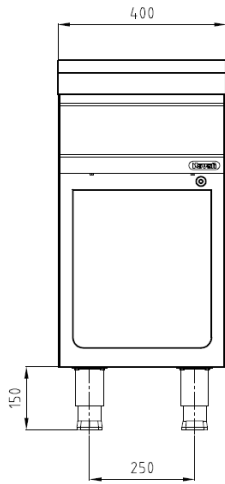
#### INCLUDED ACCESSORIES

- N/A.

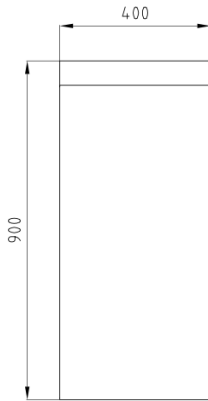
#### OPTIONAL ACCESSORIES

- Joint clip GR.

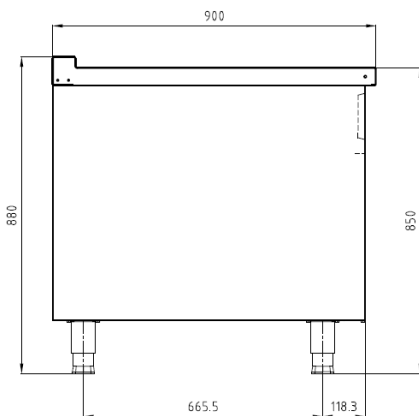
**FRONT**



**TOP**



**SIDE**



\*Overall dimension in mm

**TECHNICAL DATA**

**External Dimensions**

Width : 400 mm  
Depth : 900 mm  
Height : 850/880 mm

**PACKAGING DATA**

Width : 430 mm  
Depth : 930 mm  
Height : 1000 mm  
Volume : 0.40 m<sup>3</sup>

**WEIGHT**

Net Weight : 44 kg  
Gross Weight : 60 kg

PT. NAYATI INDONESIA

[www.nayati.com](http://www.nayati.com)

Nayati reserves the right to make product alterations and or price adjustments at any time and can not be held responsible for any printing errors or omissions.

5/7/2024