

Modular Cooking - Grandis

Neutral Counter

NNWC 6-90 GR D



Due to continuous technical development, the image shown may not represent the latest design of the unit.

DESCRIPTION

Modular neutral working counter with 900 mm depth, 5400 square-centimeter working area. Equipped with swing door.

Usable for preparation phase before/after cooking processes and storage of crockery and tools.

Made of AISI 304 with 2 mm top thickness.

OTHER AVAILABLE MODELS

- NNWC 4-90 GR
- NNWC 6-90 GR
- NNWC 8-90 GR
- NNWC 4-90 GR DR
- NNWC 6-90 GR DR
- NNWC 8-90 GR DR
- NNWC 4-90 GR D
- NNWC 8-90 GR D
- NNWC 4-90 GR D DR
- NNWC 6-90 GR D DR
- NNWC 8-90 GR D DR

MAIN FEATURES

- Neutral working counter with 600 x 900 mm surface.
- Cabinet equipped with swing door.

CONSTRUCTION

- External construction entirely with AISI 304.
- Top panel with 2 mm thickness. Orbital surface finishing: resistant toward scratches.
- Front panel is constructed of 1 mm AISI 304 with satin surface finish.
- Side panel is constructed of 0.8 mm AISI 304 with satin surface finish.
- Adjustable +/- 25 mm AISI leg.
- Cabinet executed with H2 radius.
- Connector between Grandis product on the front and the back.
- IPX4 water protection level.

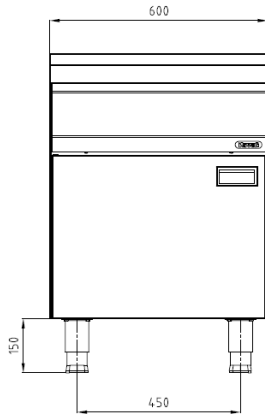
INCLUDED ACCESSORIES

- N/A

OPTIONAL ACCESSORIES

- Joint clip GR.

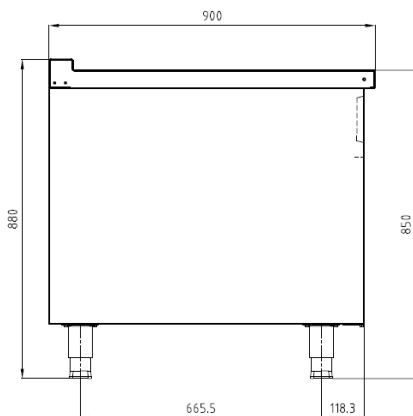
FRONT



TOP



SIDE



*Overall dimension in mm

TECHNICAL DATA

External Dimensions

Width : 600 mm
Depth : 900 mm
Height : 850/880 mm

PACKAGING DATA

Width : 630 mm
Depth : 930 mm
Height : 1000 mm
Volume : 0.59 m³

WEIGHT

Net Weight : 57 kg
Gross Weight : 76 kg